

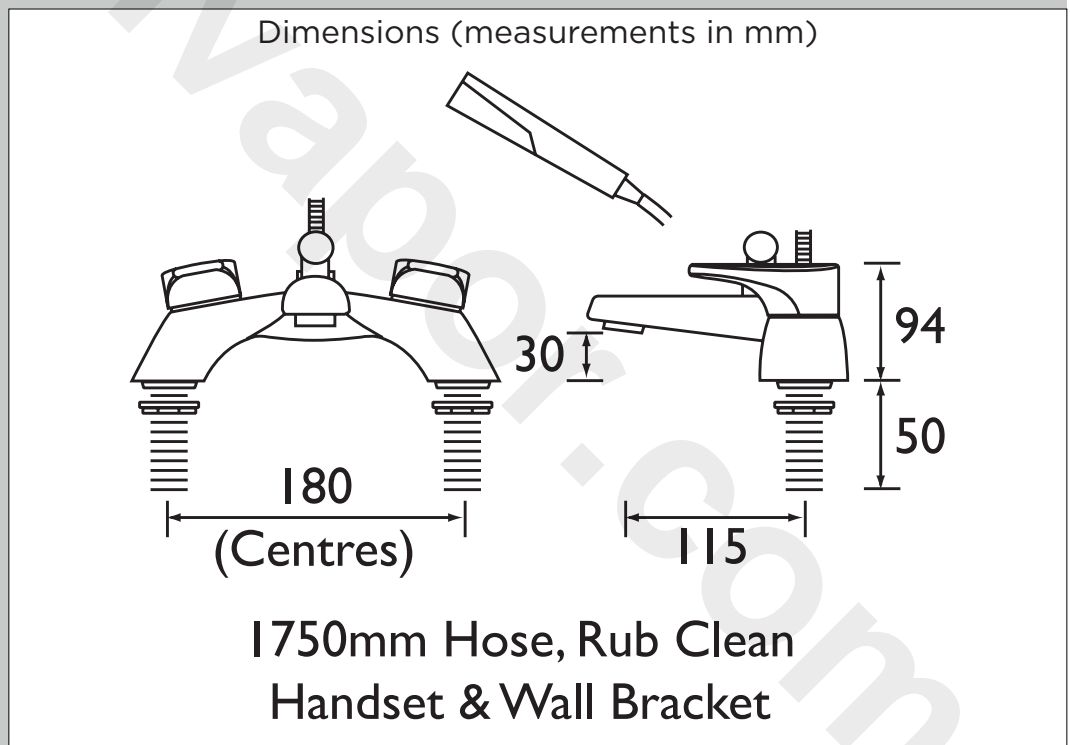


Specification	
Style:	Contemporary
Product Type:	Bathroom Taps
Finish/Colour:	Chrome
Main Construction Material:	Brass
Mount Type:	Deck
Handle Type:	Lever
Connection Inlet:	3/4" BSP
Number of Tap Holes Required:	2
Valve/Cartridge Type:	3/4" Ceramic Disc Valves
Plumbing System Suitability	All
Working Pressure Range:	Min. 0.2 bar, Max. 5.0 bar
Maximum Hot Water Temperature: °c	65
Maximum Dynamic Pressure: (bar)	5
Maximum Static Pressure: (bar)	10
Flow Type:	Single Flow
Flow Rate: (l/min @ 3 bar)	13.2
Connection Outlet:	M28 Flow Straightener
Isolation Included:	No

Features:

- Metal backnuts
- Ceramic Cartridge
- Metal handle
- Chrome plated to BS EN 248

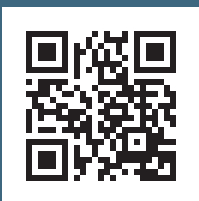
Product Certifications:



Flow Rates (l/min)						
System Pressure (bar)	0.2	0.5	1	2	3	5
Bath Filler	17.2	28.6	41	58.5	71.8	92.7
Through Handset	2.6	4.6	6.8	10.3	13.2	16.9



For more products, visit our website:



TECHNICAL DATA SHEET



BRISTAN

TAPS & SHOWERS